

FANSKI
WE CREATE OUTSTANDING PRODUCTS ALWAYS

- ☎ 0086-576-87276781
- ☎ 0086-576-87276797
- ✉ fanski@fanski.com
- 🌐 WWW.fanski.net, WWW.fanski.com
- 📍 M&E Industrial Zone, Yuhuan County, Zhejiang Province 317600, PR China



PLUMBING
PRODUCTS

PLUMBING PRODUCTS

FANSKI

WE CREATE OUTSTANDING PRODUCTS ALWAYS



FANSKI
WE CREATE OUTSTANDING PRODUCTS ALWAYS

FANSKI GROUP INC. set up in 1992, with the registered brand name of "Shida", is located in Mechanical and Electrical Industrial Zone, Yuhuan County, on the bank of East Sea. "We create outstanding products always" is the faith of FANSKI. There is a Chinese saying of "Hard working for ten years to achieve an excellent sword". Successfully cooperating with international groups, such as GE, KOHLER, American Standard, HOMEDEPOT, LOWE' S, B&Q and so on, FANSKI becomes the largest hose manufacturer in Asia.

With the passion and pursuit of healthy life and innovative quality, Mr. Chen Jianxin has established PPW and FANSKI Brands. Nowadays, FANSKI GROUP is expanding constantly: FANSKI GROUP INC, Nanjing PPW Co., Ltd, Yuhuan FANSKI Plumbing Co., Ltd., Nanjing FANSKI Artificial Environment Co., Ltd. and Nanjing Pearl Garden Real Estate Development Co., Ltd. The Range of FANSKI GROUP refers to several fields of pipe system, plumbing and sanitary, comfortable residences, high-efficiency energy utilization and real estates.

FANSKI creates a place, where you could feel safe, comfortable and elegant. FANSKI products make families all over the world enjoy a high quality life with safe water, comfortable environment, considerable design, efficient service and an advanced science and technology.

FANSKI has established a Chinese State Laboratory (CNASL3011-Chinese State Laboratory authorized number), two research and development bases, a scientific researching team with 160 staffs, a production base of 333000 square meters, 50 automatic production lines, a capacity of 60000 tons per year for plastic pipes, a warehouse of 30000 square meters and 40000 sales & services networks in 200 cities in China. FANSKI has the advanced automatic production lines and strict quality inspection up to thirty sectors, which ensures each product, every accessory and process are of high quality. With the advantages of specialization and the excellent service, FANSKI can provide a complete set of logistics solutions with individuation, low cost and high efficiency. FANSKI products have earned a great popularity in America, Europe, Southeast Asia and other regions.

Offering high quality products and perfect services to international families is the constant principle. Everywhere in the world, customers can feel the meticulous care from FANSKI.

FANSKI will focus on higher quality in the future, make progress along with world-health -service, and provide effective safeguard for health of families all over the world.

FANSKI keeps improving the consistent quality and offering service around the world to all the international families.

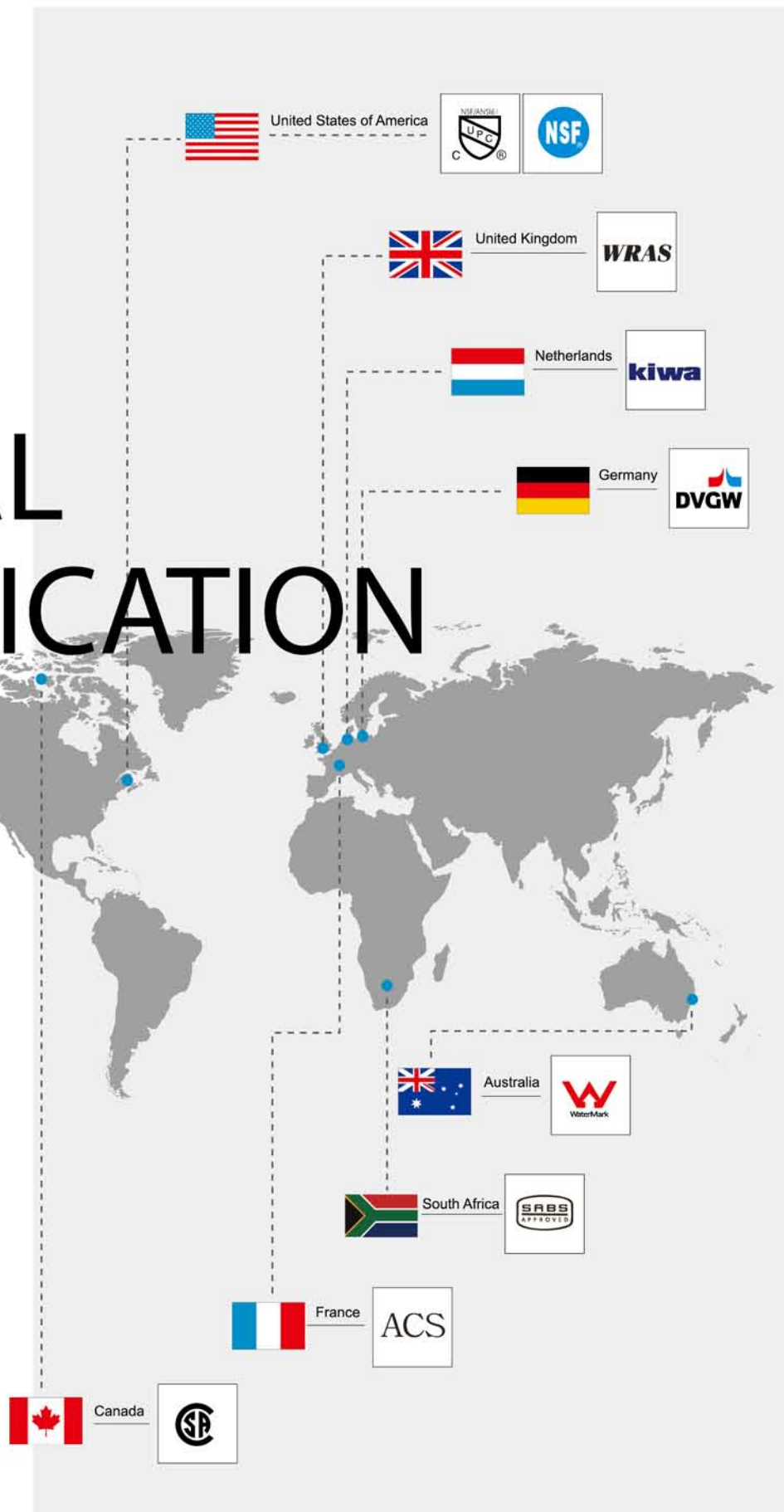
FANSKI、PPW are registered brands.



GLOBAL CERTIFICATION

The products of FANSKI have been approved by the certifications of DVGW, WATERMARK, cUPC, NSF, CSA, ACS, WRAS, KIWA, SABS etc.

Our main markets are EU countries, USA, Canada, South America and Asian countries, we have more than 30 provincial distributors in domestic China and 4 exclusive agents in the world.



FANSKI Research And Test Center



CNASL3611- The National Laboratory Of China Authorized Number

FANSKI research and test center (CNASL3611- the national lab of china authorized number), where over ten famous designers and engineers in this industry, taking advantage of the international high-class integrated research and development platform, constantly creates exclamatory new ppw products.

The world advanced automatic production line and over thirty strict tests ensures the high quality of any kind of products and the fittings, so each piece is classic.



PRODUCING EQUIPMENT



We have two factories: one sanitary products manufacturing factory locates in Yuhuan County, and the other poly pipe factory in Nanjing. Wide range of products in the areas of braided hoses, corrugated hoses, shower hoses, angle valves, floor drains and pipes. Accessories produced individually in accordance with customers' specifications in our own modern production centers. Resulting customer benefits are: reduction in the number of procurement channels, rationalization of supplier administration.



A noble office building equipped with modern appliances. A convenient information communication platform. A harmonious working environment.

The Company Exhibition



Every year, FANSKI will attend the exhibitions of National Hardware Show, Kitchen & Bath of China, ISH, MCE and Canton Fair in different countries. We welcome all friends globally come to us and cooperate with us for a new bright future.



CONTENTS

Flexible Hose 01-18

Push-fit 19-22

Corrugated hose 23-25

Shower hose 26-28

Plastic washing machine Hose 29-30

Copper/pex pipe 31-32

Gas Hose 33-34

Angle Valve 35-40

Bibcock 41-44

Floor Drain 45-50



FLEXIBLE HOSE

FANSKI is committed to the product of delicate carving, this persistence is also reflected in the braided hose. Each product is full of personality and taste of elaborate, FANSKI believed that art is given the value of the product is the soul.



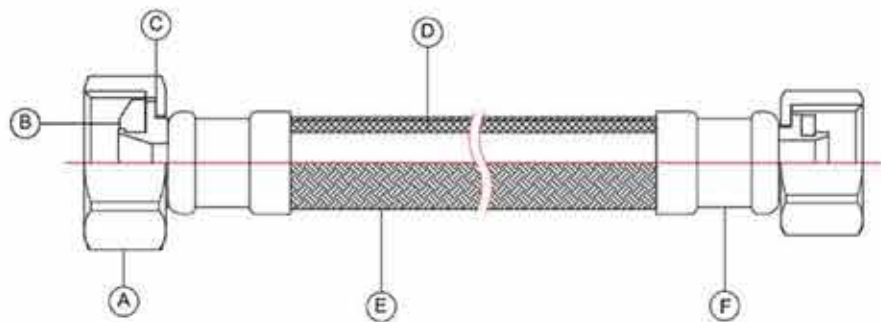
Technical Data ▶

Work pressure: 1.6MPa/230psi
Maximum temperature:90 °C

DG10E-XC-002-L(F1/2" BSP X F1/2" BSP) - BORE SIZE DNS

Applications ▶

Sanitary installations: wash-basins, bidets, WC suites, faucets, water heaters.



- (A) Nut, nickel-plated brass
- (B) EPDM rubber washer
- (C) Brass insert
- (D) EPDM rubber, PVC, PEX, Santoprene
- (E) Stainless steel AISI 304 braided hose
- (F) Stainless steel AISI 304 ferrule

Technical Data ▶

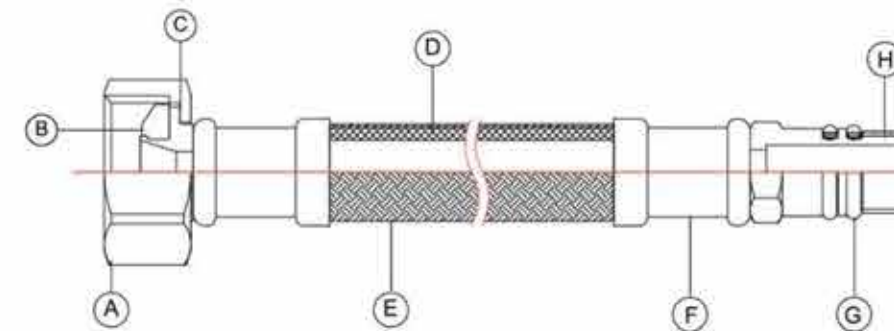
Work pressure: 1.6MPa/230psi
Maximum temperature:90 °C

Specification ▶

F1/2 XM16X1	F1/2"×M8×1	3/8" c x 1/2 FIP
F3/8"×M8×1	F1/2"×M10×1	1/2" c x 1/2 FIP
F3/8"×M10×1	F1/2"×M12×1	1/2FIP X1/2FIP
F3/8"×M12×1	F1/2" x M12 x 1.5	

Applications ▶

Direct connection to mixers for bath and kitchen.



- (A) Nut, nickel-plated brass
- (B) EPDM rubber washer
- (C) Brass insert
- (D) EPDM rubber, PVC, PEX, Santoprene
- (E) Stainless steel AISI 304 braided hose
- (F) Stainless steel AISI 304 ferrule
- (G) O-ring
- (H) Nickel-plated brass





Technical Data ▶

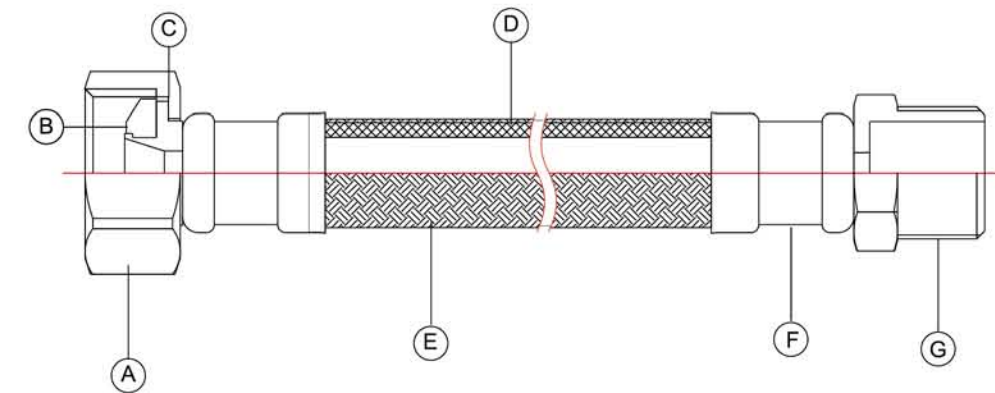
Work pressure: 1.6MPa/230psi
Maximum temperature:90°C

Specification ▶

F3/8" x M3/8" F3/4" x M3/4"
F1/2" x M1/2" F1" x M1"

Applications ▶

Water heaters, water tanks, air-conditionings and washing machines.



- Ⓐ Nut, nickel-plated brass
- Ⓑ EPDM rubber washer
- Ⓒ Brass insert
- Ⓓ EPDM rubber, PVC, PEX, Santoprene
- Ⓔ Stainless steel AISI 304 braided hose
- Ⓕ Stainless steel AISI 304 ferrule
- Ⓖ Nickel-plated brass



Technical Data ▶

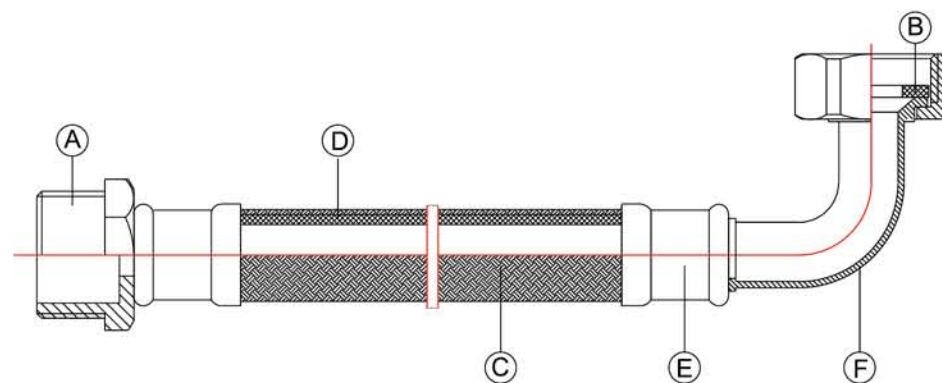
Work pressure: 1.0MPa/150psi
Maximum temperature : 90°C

Specification ▶

F1-1/4"xF1-1/4"x Elbow	M1-1/4"xF1-1/4"x Elbow
F1-1/2"xF1-1/2"x Elbow	M1-1/2"xF1-1/2"x Elbow
F3/8"xF3/8"x Elbow	M3/8"xF3/8"x Elbow
F1/2"xF1/2"x Elbow	M1/2"xF1/2"x Elbow
F3/4"xF3/4"x Elbow	M3/4"xF3/4"x Elbow
F1"xF1"x Elbow	M1"xF1"x Elbow

Applications ▶

Washing machines, air-conditionings, water heaters, water tanks, water pumps, solar panels.



- (A) Nut, nickel-plated brass
- (B) EPDM rubber washer
- (C) EPDM rubber
- (D) Stainless steel AISI 304 braided hose
- (E) Stainless steel AISI 304 ferrule
- (F) Elbow, nickel-plated brass

Technical Data ▶

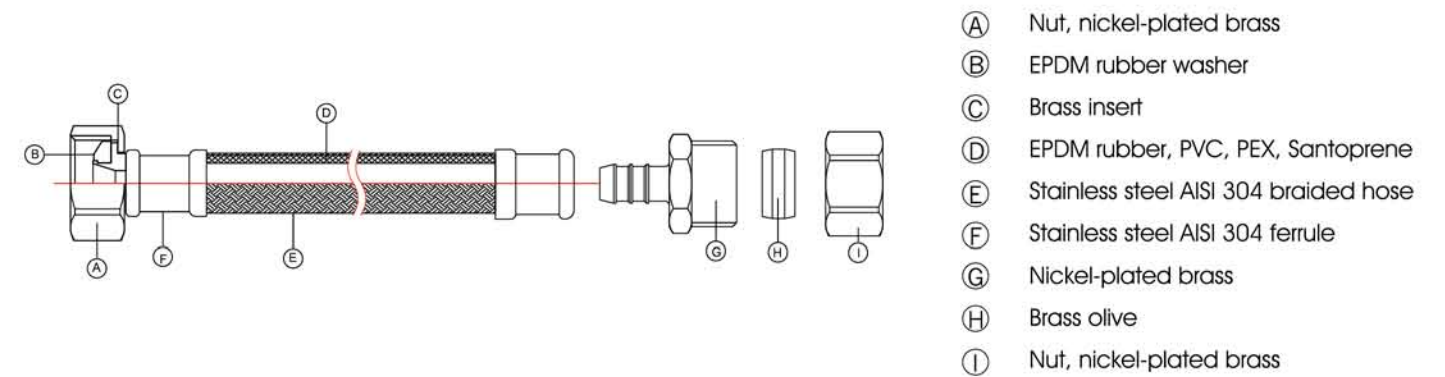
Work pressure: 1.6MPa/230psi
Maximum temperature : 90°C

Specification ▶

F1/2X10mm	F1/2" x 15mm	F3/8" x 15mm
F3/8x10mm	F1/2x12mm	F3/4" x 15mm
		F3/4" x 22mm

Applications ▶

Sanitary installations: wash-basins, bidets, WC suites, faucets, water heaters.



- (A) Nut, nickel-plated brass
- (B) EPDM rubber washer
- (C) Brass insert
- (D) EPDM rubber, PVC, PEX, Santoprene
- (E) Stainless steel AISI 304 braided hose
- (F) Stainless steel AISI 304 ferrule
- (G) Nickel-plated brass
- (H) Brass olive
- (I) Nut, nickel-plated brass





Technical Data ▶

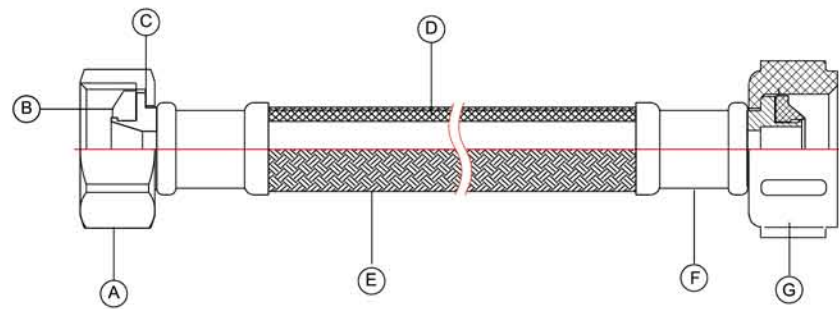
Work pressure: 1.6MPa/230psi
Maximum temperature : 90°C

Specification ▶

1/2" FIP x7/8" BC
3/8"COMP x7/8" BC

Applications ▶

Sanitary installations: bidets and WC suites.



- (A) Nut, nickel-plated brass
- (B) EPDM rubber washer
- (C) Brass insert
- (D) EPDM rubber, PVC, PEX, Santoprene
- (E) Stainless steel AISI 304 braided hose
- (F) Stainless steel AISI 304 ferrule
- (G) ABS plastic nut

Technical Data ▶

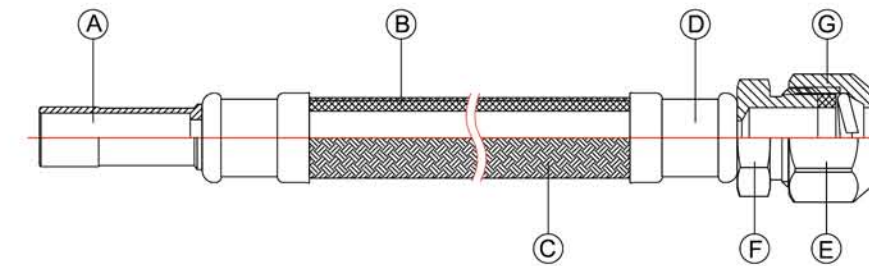
Work pressure: 1.6MPa/230psi
Maximum temperature : 90°C

Specification ▶

8mm x T10 10mm x T10
12mm x T10 15mm x T10

Applications ▶

Sanitary installations: wash-basins, bidets, WC suites, faucets, water heaters.



- (A) Brass standpipe
- (B) EPDM rubber, PEX
- (C) Stainless steel AISI 304 braided hose
- (D) Stainless steel AISI 304 ferrule
- (E) Nut, nickel-plated brass
- (F) Nickel-plated brass
- (G) Brass olive





Technical Data ▶

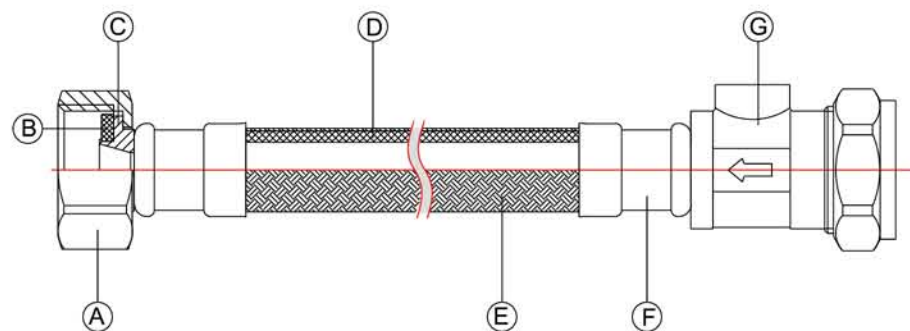
Work pressure: 1.6MPa/230psi
Maximum temperature : 90°C

Specification ▶

F1/2" x 15mm ISO valve
F3/4" x 22mm ISO valve

Applications ▶

Sanitary installations: wash-basins, bidets, WC suites, faucets, water heaters.



- (A) Nut, nickel-plated brass
- (B) EPDM rubber washer
- (C) Brass insert
- (D) EPDM rubber
- (E) Stainless steel AISI 304 braided
- (F) Stainless steel AISI 304 ferrule
- (G) Brass isolating valve

Technical Data ▶

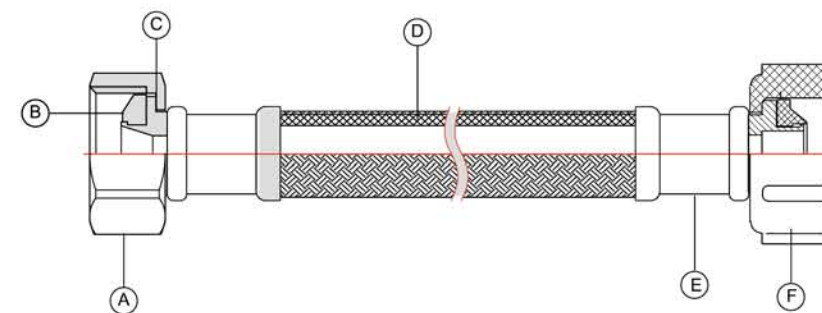
Work pressure: 1.0MPa/150psi
Maximum temperature : 75°C

Specification ▶

1/2" FIP x 7/8" BC	3/8" COMP x 7/8" BC
1/2" FLARE x 7/8" BC	3/8" FLARE x 7/8" BC

Applications ▶

Sanitary installations: WC suites and faucets.



- (A) Nut, nickel-plated brass
- (B) EPDM rubber washer
- (C) Brass insert
- (D) PVC braided hose
- (E) Stainless steel AISI 304 ferrule
- (F) Nut, plastic





Technical Data ▶

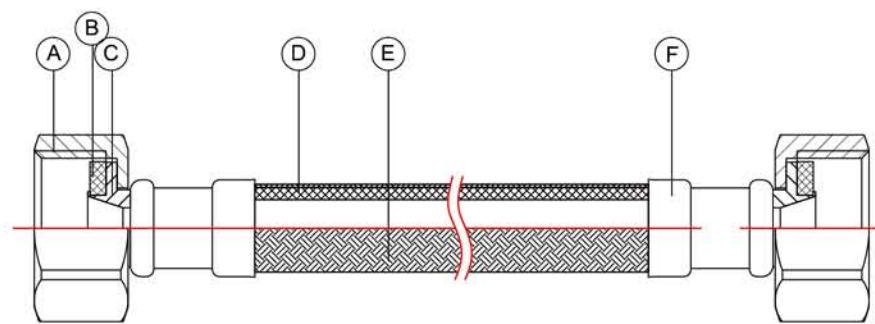
Work pressure: 1.6Mpa/230psi
Maximum temperature : 90°C

Specification ▶

F3/8" x F3/8"	F1/2' x F1/2"
F3/4" x F3/4"	3/8"C x 3/8"C
1/2FIP" x 1/2FIP"	3/4"FGH x 3/4"FGH

Applications ▶

Sanitary installations: wash-basins, bidets, WC suites, faucets, water heaters.



- (A) Nut, chrome plated brass
- (B) EPDM rubber washer
- (C) Brass insert
- (D) EPDM
- (E) Poly wire
- (F) Stainless steel AISI 304 ferrule

Technical Data ▶

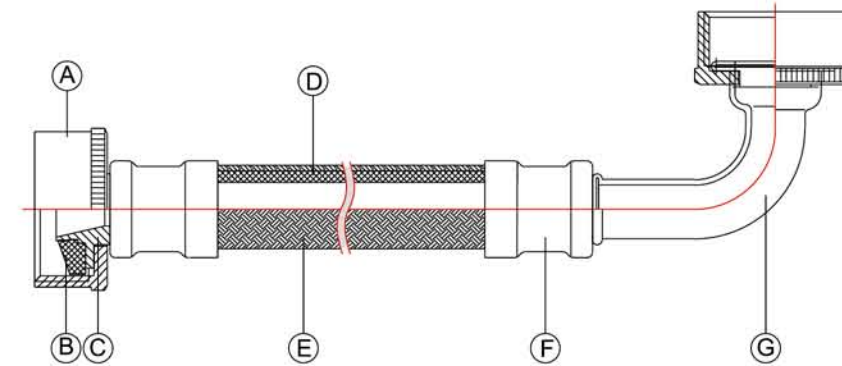
Work pressure: 1.6MPa/230psi
Maximum temperature : 90°C

Specification ▶

3/4FGH x 3/4FGH
3/4FGH x 3/4FGH Elbow

Applications ▶

Washing machines.



- (A) Nut, nickel-plated brass
- (B) EPDM rubber washer
- (C) Brass insert
- (D) EPDM rubber, PVC
- (E) Stainless steel AISI 304 braided hose
- (F) Stainless steel AISI 304 ferrule
- (G) Elbow, nickel-plated brass





Technical Data ▶

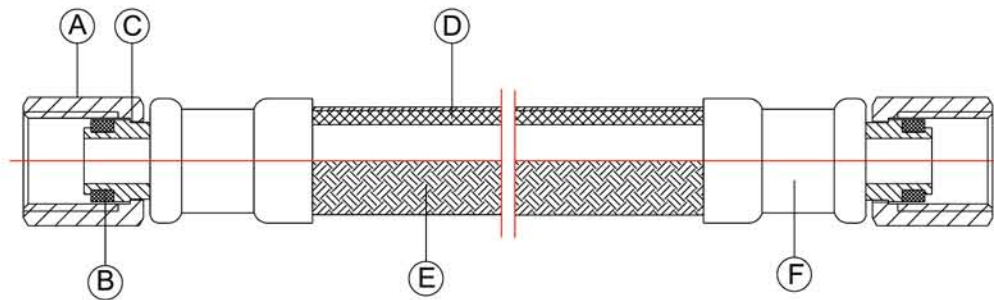
Work pressure: 1.6MPa/230psi
Maximum temperature : 90°C

Specification ▶

1/4" COMPx 1/4" COMP

Applications ▶

Ice makers.



- (A) Nut, nickel-plated brass
- (B) EPDM rubber washer
- (C) Brass insert
- (D) EPDM rubber,PVC
- (E) Stainless steel AISI 304 braided hose
- (F) Stainless steel AISI 304 ferrule

Technical Data ▶

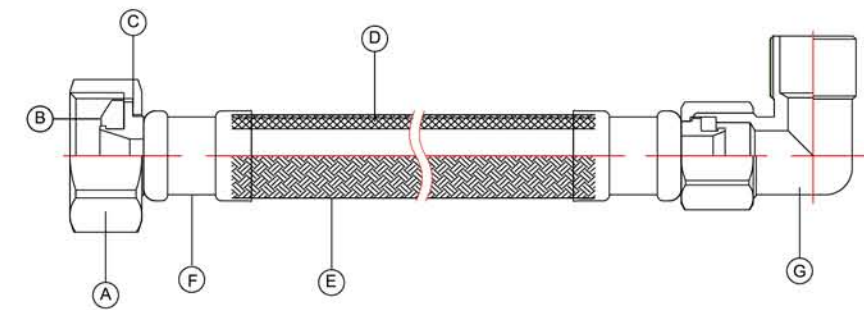
Work pressure: 1.6MPa/230psi
Maximum temperature : 90°C

Specification ▶

3/8" COMPx 3/8" COMP w/90 Elbow
3/8"COMP x 3/4"FHT Elbow

Applications ▶

Dish washers.



- (A) Nut, nickel-plated brass
- (B) EPDM rubber washer
- (C) Brass insert
- (D) EPDM rubber,PVC
- (E) Stainless steel AISI 304 braided hose
- (F) Stainless steel AISI 304 ferrule
- (G) Brass elbow





Technical Data ▶

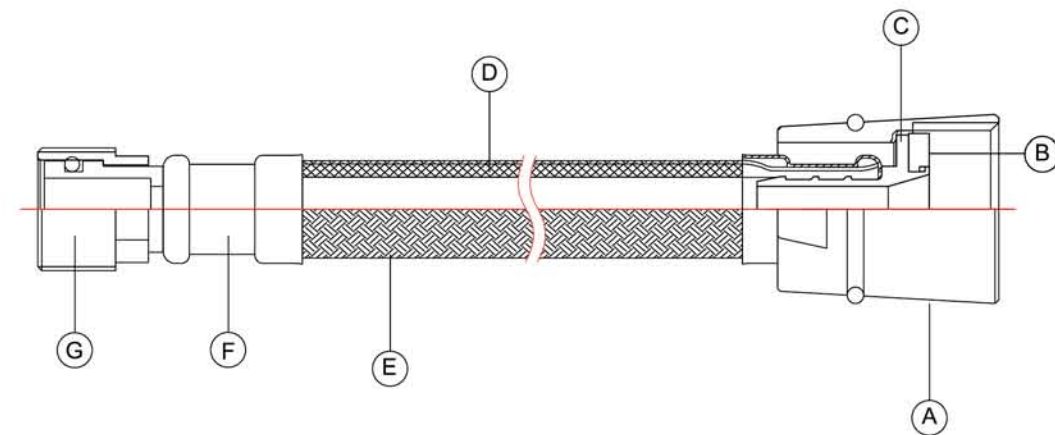
Work pressure: 1.0 MPa/150psi
Maximum temperature : 90°C

Specification ▶

F1/2" x M15 x1

Applications ▶

Connection to faucets for bath and kitchen.



- (A) Nut, nickel-plated brass
- (B) EPDM rubber washer
- (C) Brass insert
- (D) EPDM rubber, PVC
- (E) Nylon braided hose
- (F) Stainless steel AISI 304 ferrule
- (G) Nut, nickel-plated brass



Technical Data ▶

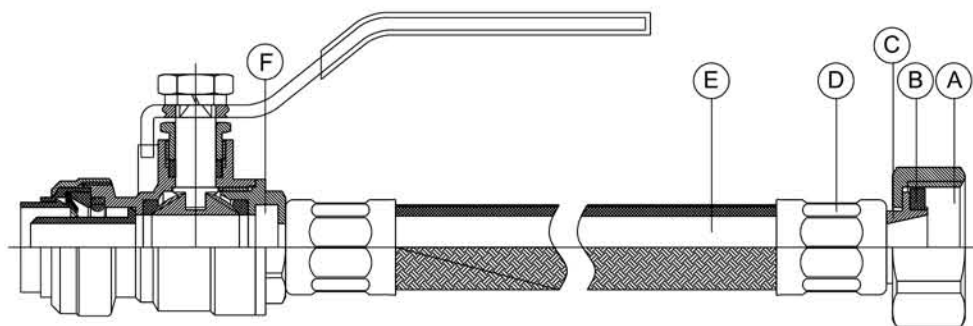
Work pressure: 1.6Mpa/230psi
Maximum temperature: 90°C

Specification ▶

F1/2" X 15mm push-fit with isolating valve
F3/4" X 15mm push-fit with isolating valve
F3/4" X 22mm push-fit with isolating valve

Applications ▶

Sanitary installations: wash-basins, bidets, WC suites, faucets, water heaters.



- (A) Nut, nickel-plated brass
- (B) EPDM rubber washer
- (C) Brass insert
- (D) Stainless steel AISI 304 ferrule
- (E) EPDM rubber
- (F) Isolating valve

Technical Data ▶

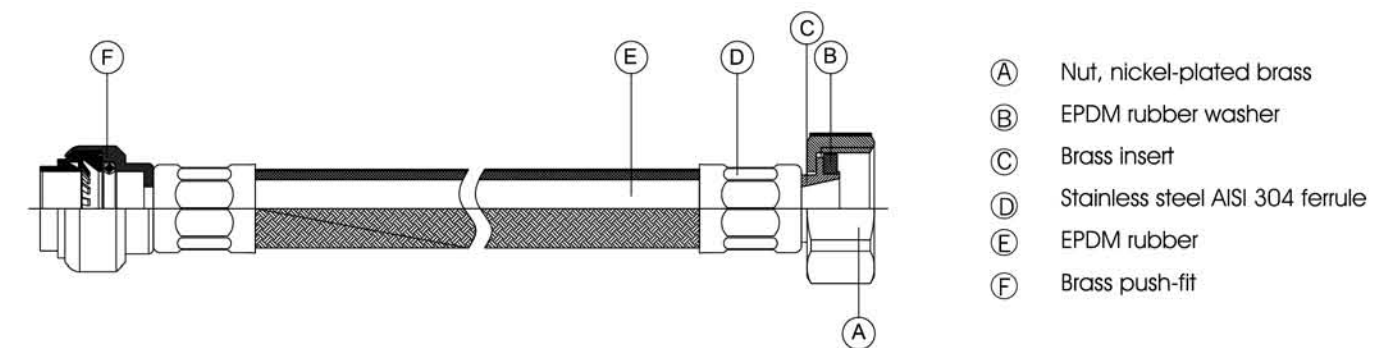
Work pressure: 1.6Mpa/230psi
Maximum temperature: 90°C

Specification ▶

F1/2" X 15mm push-fit
F3/4" X 15mm push-fit
F3/4" X 22mm push-fit

Applications ▶

Sanitary installations: wash-basins, bidets, WC suites, faucets, water heaters.



- (A) Nut, nickel-plated brass
- (B) EPDM rubber washer
- (C) Brass insert
- (D) Stainless steel AISI 304 ferrule
- (E) EPDM rubber
- (F) Brass push-fit





Technical Data ▶

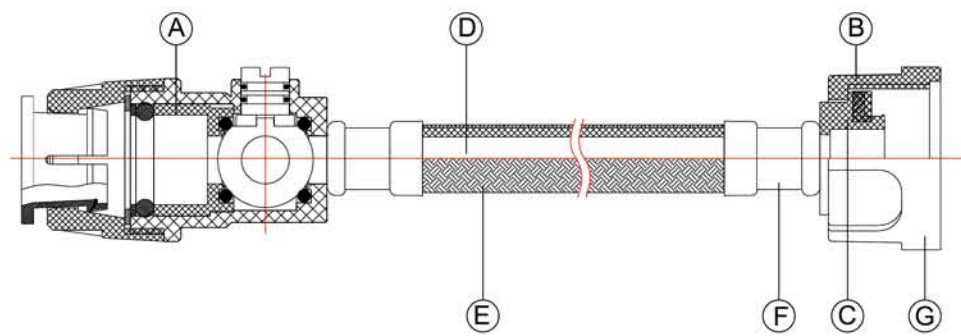
Work pressure: 1.6MPa/230psi
Maximum temperature : 90°C

Specification ▶

F1/2" x 15mm plastic push-fit with valve
F1/2" x 22mm plastic push-fit with valve
F3/4" x 15mm plastic push-fit with valve
F3/4" x 22mm plastic push-fit with valve

Applications ▶

Sanitary installations: wash-basins, bidets, WC suites, faucets, water heaters.



- (A) Isolating push-fit, plastic
- (B) EPDM rubber washer
- (C) Brass insert
- (D) EPDM rubber
- (E) Stainless steel AISI 304 braided hose
- (F) Stainless steel AISI 304 ferrule
- (G) Nut, plastic

Technical Data ▶

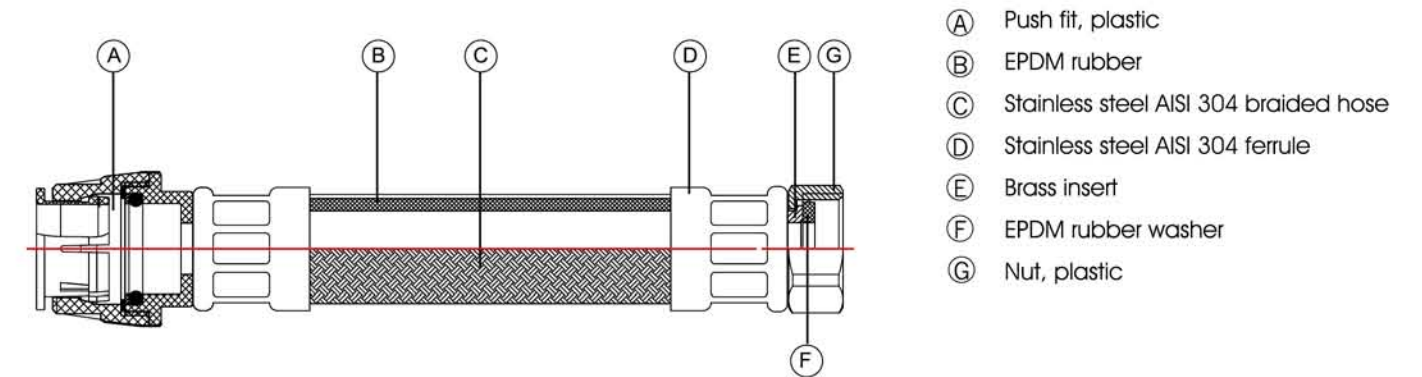
Work pressure: 1.6Mpa/230psi
Maximum temperature : 90°C

Specification ▶

F1/2" X 15mm push-fit
F3/4" X 15mm push-fit
F3/4" X 22mm push-fit

Applications ▶

Sanitary installations: wash-basins, bidets, WC suites, faucets, water heaters.



- (A) Push fit, plastic
- (B) EPDM rubber
- (C) Stainless steel AISI 304 braided hose
- (D) Stainless steel AISI 304 ferrule
- (E) Brass insert
- (F) EPDM rubber washer
- (G) Nut, plastic





Technical Data ▶

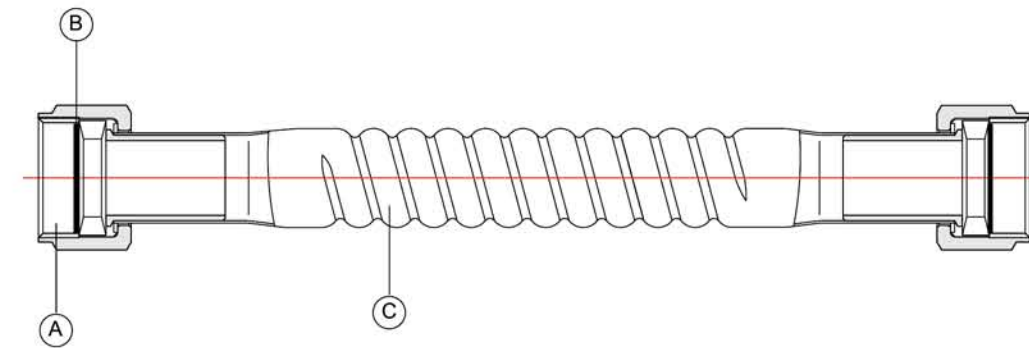
Work pressure: 1 MPa/150psi
Maximum temperature: 90 °C
Minimum temperature: 0 °C

Specification ▶

3/4" FIPx 3/4" FIP	3/4" FIPx 3/4" MIP
3/4" FIPx 3/4" Female Sweat	3/4" FIP x 3/4" Brass Barb

Applications ▶

Connection to water heaters .



- Ⓐ Nut, brass
- Ⓑ EPDM rubber washer
- Ⓒ Copper Tube



Technical Data ▶

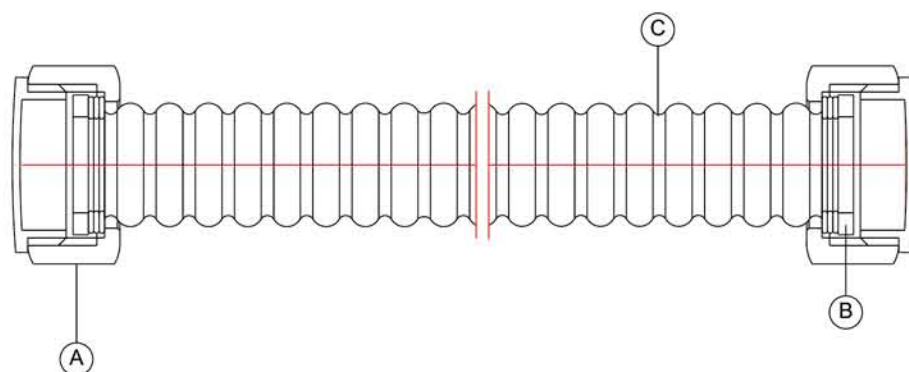
Work pressure: 1MPa/150psi
Maximum temperature: 90°C
Minimum temperature: 0°C

Specification ▶

F1/2" x M1/2"	F1/2" x F1/2"
F3/4" x M3/4"	F3/4" x F3/4"
F1" x M1"	F1" x F1"
F1-1/4" x M1-1/4"	F1-1/4" x F1-1/4"
F1-1/2" x M1-1/2"	F1-1/2" x F1-1/2"
F2" x M2"	F2" x F2"

Applications ▶

Connection to wash-basins, bidets, WC suites, faucets, water heaters, water tanks, air-conditionings and washing machines.



- (A) Nut, nickel-plated brass
- (B) EPDM rubber washer
- (C) Stainless steel AISI 304

Technical Data ▶

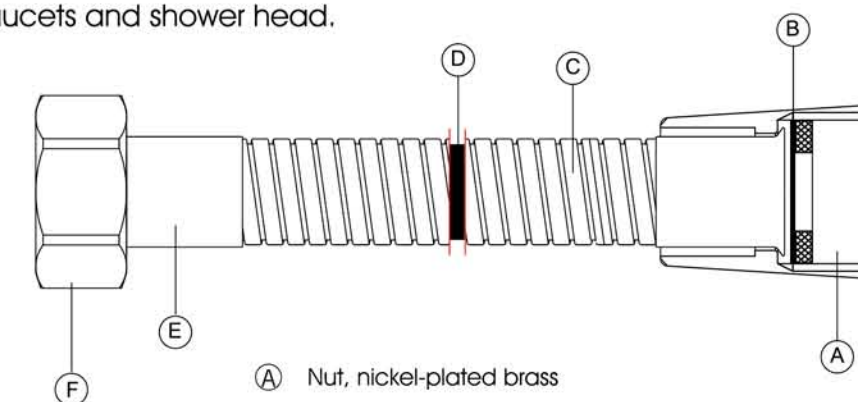
Work pressure: 1.0MPa/150psi
Maximum temperature : 75°C

Specification ▶

F1/2" x F1/2"

Applications ▶

Connection to faucets and shower head.



- (A) Nut, nickel-plated brass
- (B) EPDM rubber washer
- (C) Stainless steel AISI 304
- (D) EPDM rubber, PVC
- (E) Stainless steel AISI 304 ferrule
- (F) Nut, nickel plated brass





Technical Data ▶

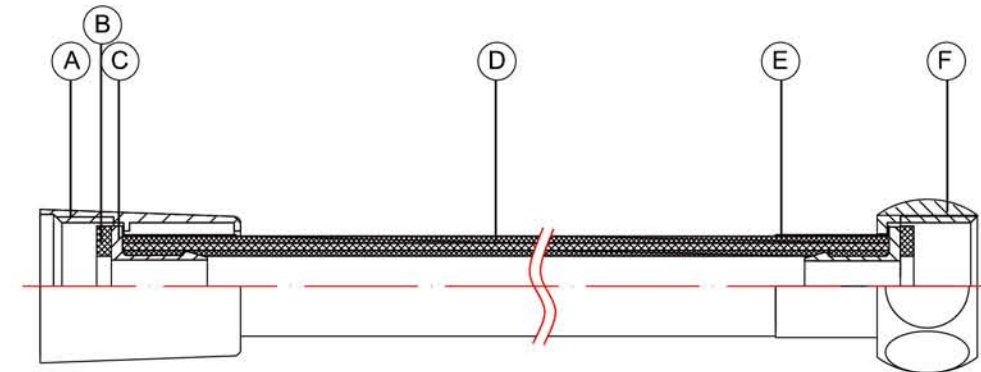
Work pressure: 1.0Mpa/150psi
Maximum temperature : 75°C

Specification ▶

F1/2" X F1/2"

Applications ▶

Connection to faucets and shower head.



- Ⓐ Nut, chrome plated brass
- Ⓑ EPDM rubber washer
- Ⓒ Brass insert
- Ⓓ PVC
- Ⓔ Stainless steel AISI 304 ferrule
- Ⓕ Nut



Technical Data ▶

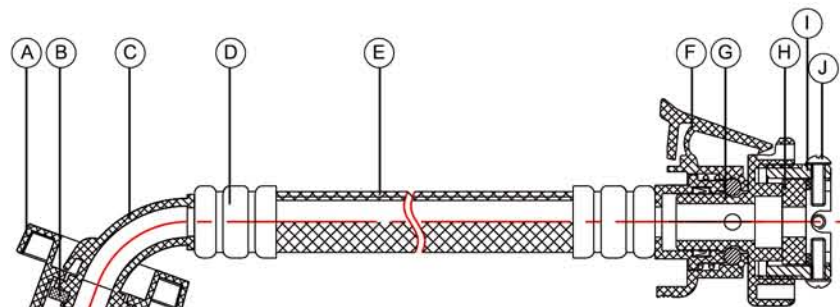
Working pressure: <1.0mpa
 Suitable medium: normal temperature water
 Connection: G3/4 push fit

Specification ▶

Length: 60"

Applications ▶

Hoses which connect water source and fully automatic washing machine.



- (A) Polyformaldehyde
- (B) NBR
- (C) Polyformaldehyde
- (D) Aluminium alloy
- (E) Double plastic pipe
- (F) Polyformaldehyde
- (G) Core with insert polyformaldehyde
- (H) NBR
- (I) Chromeplated zinc alloy
- (J) Chromeplated mild steel

Technical Data ▶

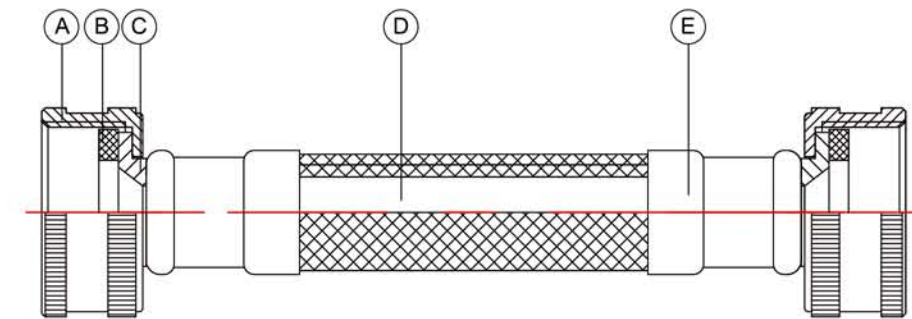
Work pressure: 0.85Mpa/125psi
 Maximum temperature : 60°C

Specification ▶

3/4"FGH x 3/4FGH

Applications ▶

Washing Machine.



- (A) Nut, nickel plated brass
- (B) EPDM rubber washer
- (C) Brass insert
- (D) EPDM rubber
- (E) Stainless steel AISI 304 ferrule





Technical Data ▶

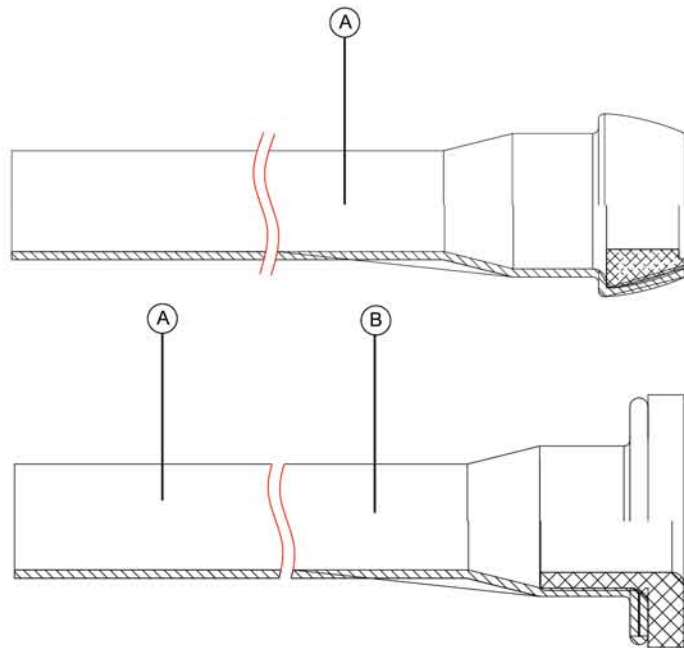
Work pressure: 1MPa/150psi
Maximum temperature: 90 C
Minimum temperature: 0 C"

Specification ▶

3/8"OD x 12"/20"/30"/36"

Applications ▶

Faucet/Toilet Connector



- Ⓐ Copper with Chrome/Nickel Plated
- Ⓑ Rubber gasket

Technical Data ▶

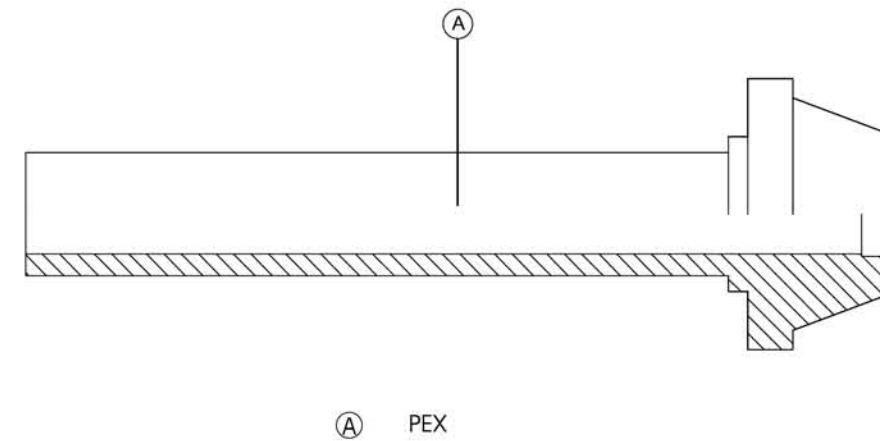
Work pressure: 1MPa/150psi
Maximum temperature: 70 C
Minimum temperature: 0 C"

Specification ▶

3/8"OD x 12"/20"/30"/36"

Applications ▶

Faucet/toilet Connector.



- Ⓐ PEX





Technical Data ▶

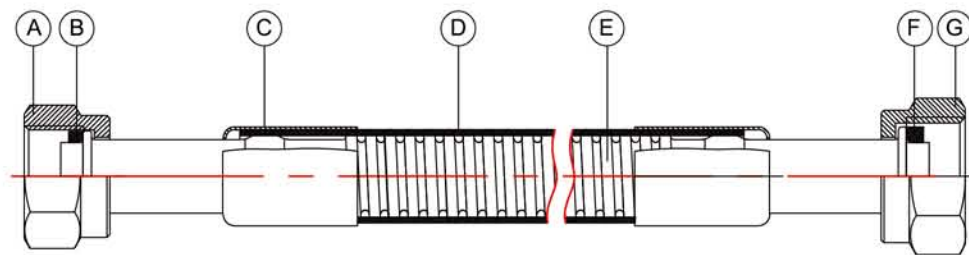
Working pressure: by inner diameter
0.5 pound/ square feet

Specification ▶

Suitable medium: natural gas, artificial gas, mixed gas,
LPG, air intermixture
Connection specification: M18 X 1.5-F 1/2
Length : 32" 40" 48" 60"

Applications ▶

Hoses which connect gas source and gas appliance.



- (A) Nickel-plated brass
- (B) Flame retardant NBR
- (C) 304 stainless steel polished
- (D) Transparent PVC
- (E) 304 stainless steel
- (F) Flame retardant NBR
- (G) Nickel-plated brass

Technical Data ▶

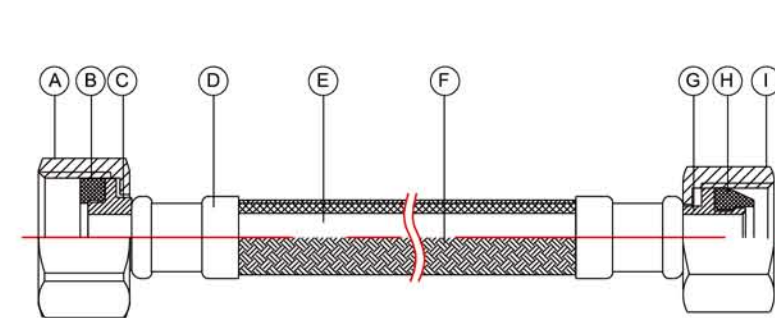
Working pressure : <1.6MPa/230PSI
Working temperature : <80°C

Specification ▶

Suitable medium: natural gas, artificial gas, mixed gas,
LPG, air intermixture
Connection specification : M18 X 1.5-F1/2
Length : 20", 40"

Applications ▶

Hoses which connect gas source and gas appliance.



- (A) Nickel-plated brass
- (B) Flame retardant NBR
- (C) Hpb59-1 brass
- (D) H62 brass(chromeplate)
- (E) Flame retardant pentane endure rubber
- (F) 304 stainless steel thread+yellow nylon thread
- (G) Hpb59-1 brass
- (H) Flame retardant NBR
- (I) Nickel-plated brass





ANGLE VALVE

Elaborate technics ensure exterior dignity and elegance.

Advanced technology is just the assurance of excellent performance.

Apart from the exterior expression the simple style extends into function.



Technical Data ▶

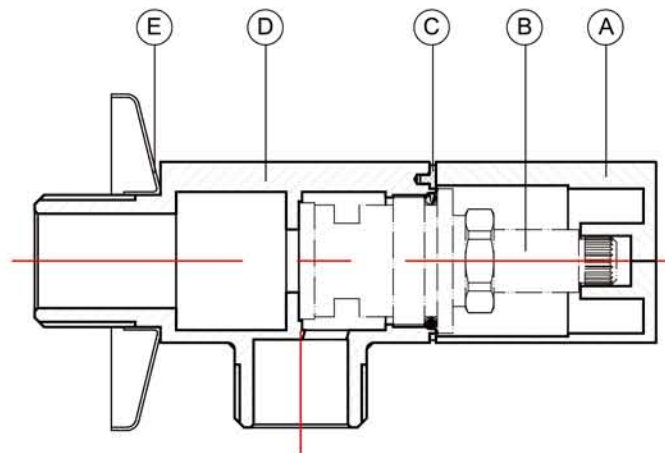
Work pressure: 1.0 MPa/150psi
Maximum temperature : 90°C

Specification ▶

G1/2 X G3/4
G1/2 x G1/2
G1/2XG3/8

Applications ▶

Drinking and washing water system.



- (A) Handle
- (B) cartridge
- (C) Mark line
- (D) Valve body
- (E) Decoration cap

Technical Data ▶

Work pressure: 1.0 MPa/150psi
Maximum temperature : 90°C

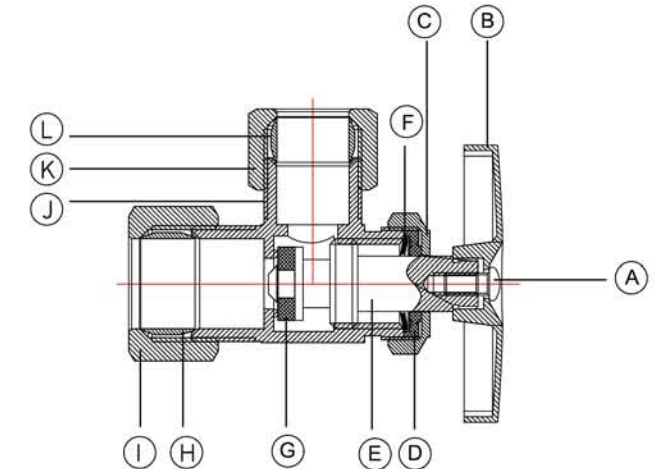
Specification ▶

5/8"OD × 1/4"OD.Com	5/8"OD × 3/8"OD.Com
5/8"OD × 1/2"OD.Com	5/8"OD × 7/16"&1/2"Slip-Joint
3/8"FIP × 3/8"OD.Com	3/8"FIP × 1/2"OD.Com
1/2"FIP × 1/4"OD.Com	1/2"FIP × 3/8"OD.Com
1/2"FIP × 1/2"OD.Com	1/2"FIP × 7/16"&1/2"Slip-Joint
1/2"SWEAT × 1/4"OD.Com	1/2"SWEAT × 3/8"OD.Com
1/2"SWEAT × 1/2"OD.Com	1/2"SWEAT × 5/8"OD.Com
1/2"PEX × 3/8"OD.Com	1/2"PEX × 1/2"PEX
1/2"CPVC×3/8"OD.Com	1/2"CPVC×1/2"OD.Com

Applications ▶

Control water flow to household plumbing fixtures.

- (A) Bolt
- (B) Handle
- (C) Cap
- (D) EPDM washer
- (E) Insert
- (F) Metal washer
- (G) Gasket
- (H) 5/8 sleeve
- (I) 5/8 hexagon nut
- (J) Valve body
- (K) 1/2 hexagon nut
- (L) 1/2 sleeve





AG001
Washing Machine Bibcock



AP209 Angle Valve
Specification:
All size for North America.



AP232 Angle Valve
Specification:
All size for North America.



AP262 Angle Valve
Specification:
All size for North America.



AP208 Angle Valve
Specification:
All size for North America.



AP252 Angle Valve
Specification:
All size for North America.



AP001 Angle Valve
Specification:
G1/2" x 1/2", G1/2" x 3/8",
G1/2" x 3/4"



AP002 Angle Valve
Specification:
G1/2" x 1/2", G1/2" x 3/8",
G1/2" x 3/4"



AP003 Angle Valve
Specification:
G1/2" x 1/2", G1/2" x 3/8",
G1/2" x 3/4"



AP004 Angle Valve
Specification: G1/2" x 1/2",
G1/2" x 3/8", G1/2" x 3/4"



AP005 Angle Valve
Specification: G1/2" x 1/2",
G1/2" x 3/8", G1/2" x 3/4"



AP006 Angle Valve
Specification: G1/2" x 1/2",
G1/2" x 3/8", G1/2" x 3/4"



AP007 Angle Valve
Specification: G1/2" x 1/2",
G1/2" x 3/8", G1/2" x 3/4"



AP008 Angle Valve
Specification:
G1/2" x 1/2", G1/2" x 3/8",
G1/2" x 3/4"



AP009 Angle Valve
Specification:
G1/2" x 1/2", G1/2" x 3/8",
G1/2" x 3/4"



AP010 Angle Valve
Specification:
G1/2" x 1/2", G1/2" x 3/8",
G1/2" x 3/4"



AP011 Angle Valve
Specification:
G1/2" x 1/2", G1/2" x 3/8",
G1/2" x 3/4"



AP012 Angle Valve
Specification:
G1/2" x 1/2", G1/2" x 3/8",
G1/2" x 3/4"



AP013 Angle Valve
Specification:
G1/2" x 1/2", G1/2" x 3/8",
G1/2" x 3/4"



AP018 Angle Valve
Specification:
G1/2" x 1/2", G1/2" x 3/8",
G1/2" x 3/4"



AP026 Angle Valve
Specification:
G1/2" x G1/2" x G1/2"



AP028 Angle Valve
Specification:
G1/2" x 1/2", G1/2" x 3/8",
G1/2" x 3/4"



AP032 Angle Valve
Specification:
G1/2" x 1/2", G1/2" x 3/8",
G1/2" x 3/4"



AP033 Angle Valve
Specification:
G1/2" x 1/2", G1/2" x 3/8",
G1/2" x 3/4"



AP102 Angle Valve
Specification:
G1/2" x 1/2", G1/2" x 3/8",
G1/2" x 3/4"



AP033 Angle Valve
Specification:
G1/2" x 1/2", G1/2" x 3/8",
G1/2" x 3/4"



AP058 Angle Valve
Specification:
G1/2" x 1/2", G1/2" x 3/8",
G1/2" x 3/4"



AP059 Angle Valve
Specification:
G1/2" x 1/2", G1/2" x 3/8",
G1/2" x 3/4"



BIBCOCK

People oriented, healthy and environmental-friendly materials.
Natural and smooth line with attractive fashion style, it's the first choice of
popular model.



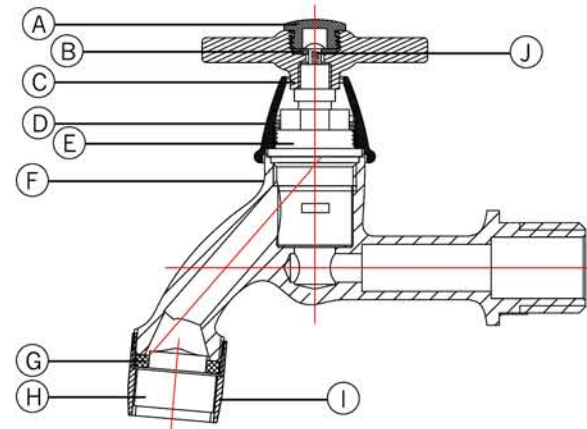
Technical Data

Work pressure: 1.0 Mpa
Maximum temperature: 90°C

- (A) Decoration buckle
- (B) Spring gasket
- (C) Cross handle wheel
- (D) Decoration cover of handle
- (E) Fast open insert
- (F) Valve body
- (G) Flat gasket
- (H) Bubbler
- (I) Brass sleeve of outlet
- (J) Screw fastener

Specification

G1/2 x G1/2



Applications

Drinking and washing water system.



AG003
Long Washing Machine Bibcock



AG012
Washing Machine Bibcock



AG004
Long Bibcock



AG013
G3/4 Feed Line Bibcock



AG005
Extended Bibcock



AG014
Long Bibcock



AG001
Washing Machine Bibcock



AG006
Extended Washing
Machine Bibcock



AG002
Bibcock



AG011
Bibcock



AG015
Long Washing Machine Bibcock



AG016
Washing Machine
Bibcock



AG016-1
Bibcock



AG018
Extended Bibcock



AG019
Designed With Imported
Washing Machine
(Long Bibcock)



AG020
Dual-use Bibcock



AG021
Bibcock



AG022
Washing Machine
Bibcock



AG023
Long Bibcock



FLOOR DRAIN

We consider the key point of the quality of floor drain as our prime criterion.

Floor drain is finished with extraordinary casting techniques as well as refined crafts.

Unparalleled and high quality products create your wonderful life.



Technical Data ▶

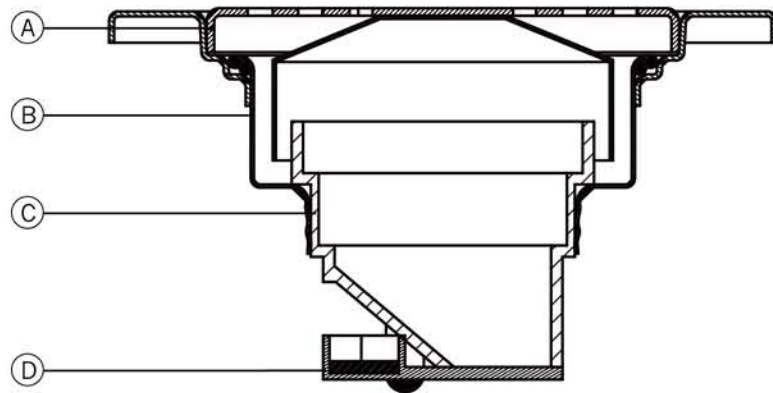
Work pressure: 1.0 Mpa
Maximum temperature: 80°C

Specification ▶

105 x 105mm

Applications ▶

Surface drainage system.



- (A) Water reposition component
- (B) Water sealing plastic jacket
- (C) Body component
- (D) Grating component



CP001
Stainless Steel Floor Drain
(Bell type floor drain)



CP011
Stainless Steel Floor Drain
(Bell type floor drain)



CP002
Stainless Steel Floor Drain
(Bell type floor drain)



CP012
Stainless Steel Floor Drain
(Bell type floor drain)



CP003
Stainless Steel Floor Drain
(Plastic deodorization waste)



CP013
Stainless Steel Floor Drain
(Bell type floor drain)



CP004
Stainless Steel Floor Drain
(Plastic deodorization waste)



CP026L
Stainless Steel Floor Drain
(Through way type deodorization waste)



CP008
Stainless Steel Floor Drain
(Plastic deodorization waste)



CP027L
Stainless Steel Floor Drain
(Through way type deodorization waste)



CP009
Stainless Steel Floor Drain
(Plastic deodorization waste)



CP102L/CP102P
Stainless Steel Floor Drain
(Feed Through Waste)



CP010
Stainless Steel Floor Drain
(Plastic deodorization waste)



CP103L/CP103P
Stainless Steel Floor Drain
(Magnetic Waste)

Material:Stainless Steel
L:Brush / P:Polish



CP104L/CP104P
Stainless Steel Floor Drain
(Magnetic Waste)



CP105L/CP105P
Stainless Steel Floor Drain
(Through way type deodorization waste)



CP106L/CP106P
Stainless Steel Floor Drain
(Long Water Sealed Waste)



CP107L/CP107P
Floor Drain
(Short Water Sealed Waste)

Material : copper



CP201
Elaborate Brass Floor Drain



CP202
Elaborate Brass Floor Drain



CP203
Elaborate Brass Floor Drain



CP204
Elaborate Brass Floor Drain

Material : Brass



CP205
Elaborate Chroming Brass Floor Drain



CP206
Elaborate Chroming Brass Floor Drain



CP207
Elaborate Chroming Brass Floor Drain



CP208
Elaborate Chroming Brass Floor Drain



CP209
Elaborate Bathroom Bounce Floor Drain